

PROCESSOR
252 SHEET 3
DSP AUDIO

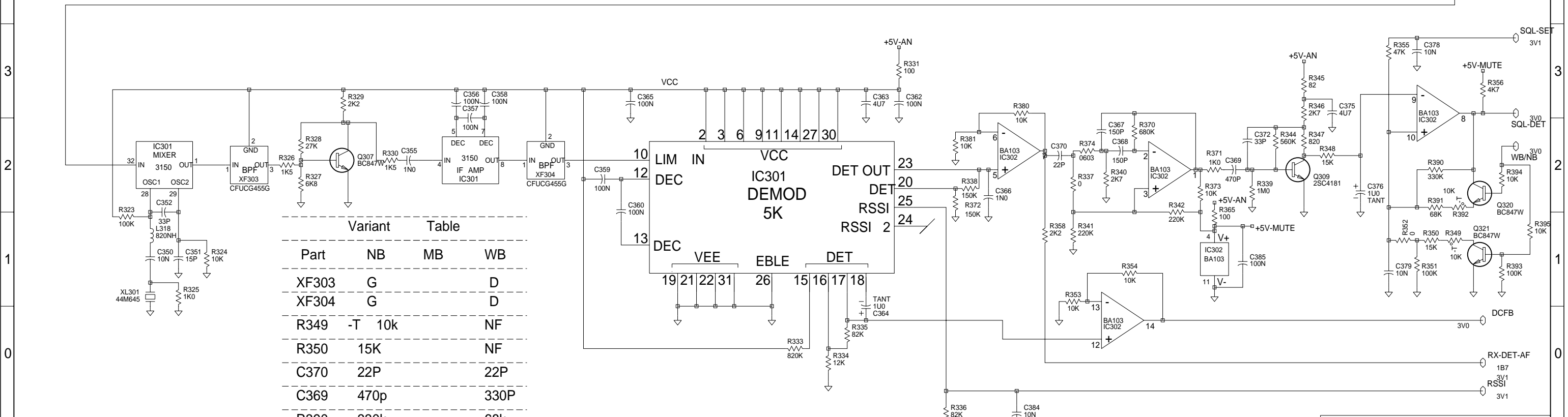
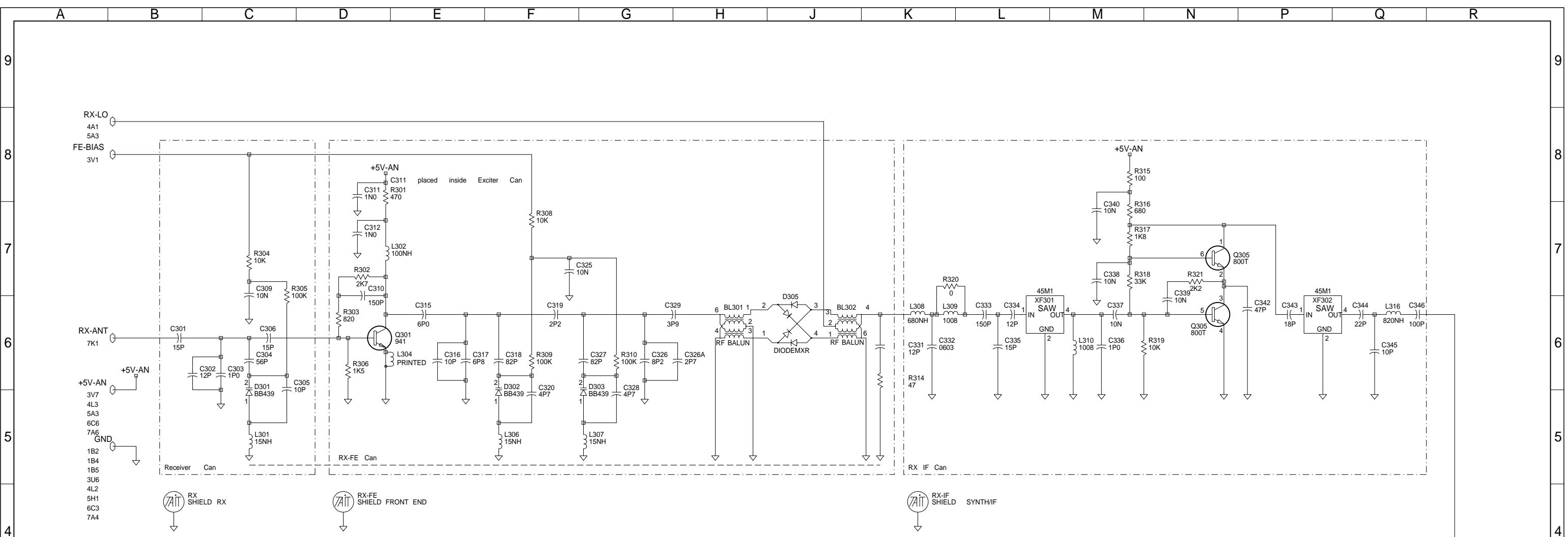
RECEIVER SHEET 2 (246)
SYNTH-VCO SHEET 4 (2922)
POWER-AMP SHEET 7 (5881)

06A	COMPONENT OBS. CCO NO. 1503-012	BRD			06-04-00
05B	DIG SHIELD. CCO# 1503-011	CM			03/02/00
05A	CCO NO. 1503-004/005/006/007	BRD			04/11/99
04B	CHANGES AS PER 1503/001	BRD			20/08/99
03B	ADJUSTED T-CU AS PER PENTEX	BRD			03/06/99
03A	UPDATE ALC AND AFC	BRD			17-05-99
02A	SEE NOTES FILE FOR CHANGES	BRD			10/02/99
08	UPDATED MUTE CIRCUITRY	DBH			
REV/ISS	AMENDMENTS	DRAWN	CHKD	D.O.	APVD DATE



Sub UHF

TAIT ELECTRONICS
 ORCA :TP010- 336-400MHZ
 SYSTEM DIAGRAM
 IPN: 220-01503-06 ISSUE: A ID: 2.S.C. 1
 PROJECT: ORCA BRD DESIGNER: 150306a FILE NAME: 6-Apr-00 NO.SHEETS: 7

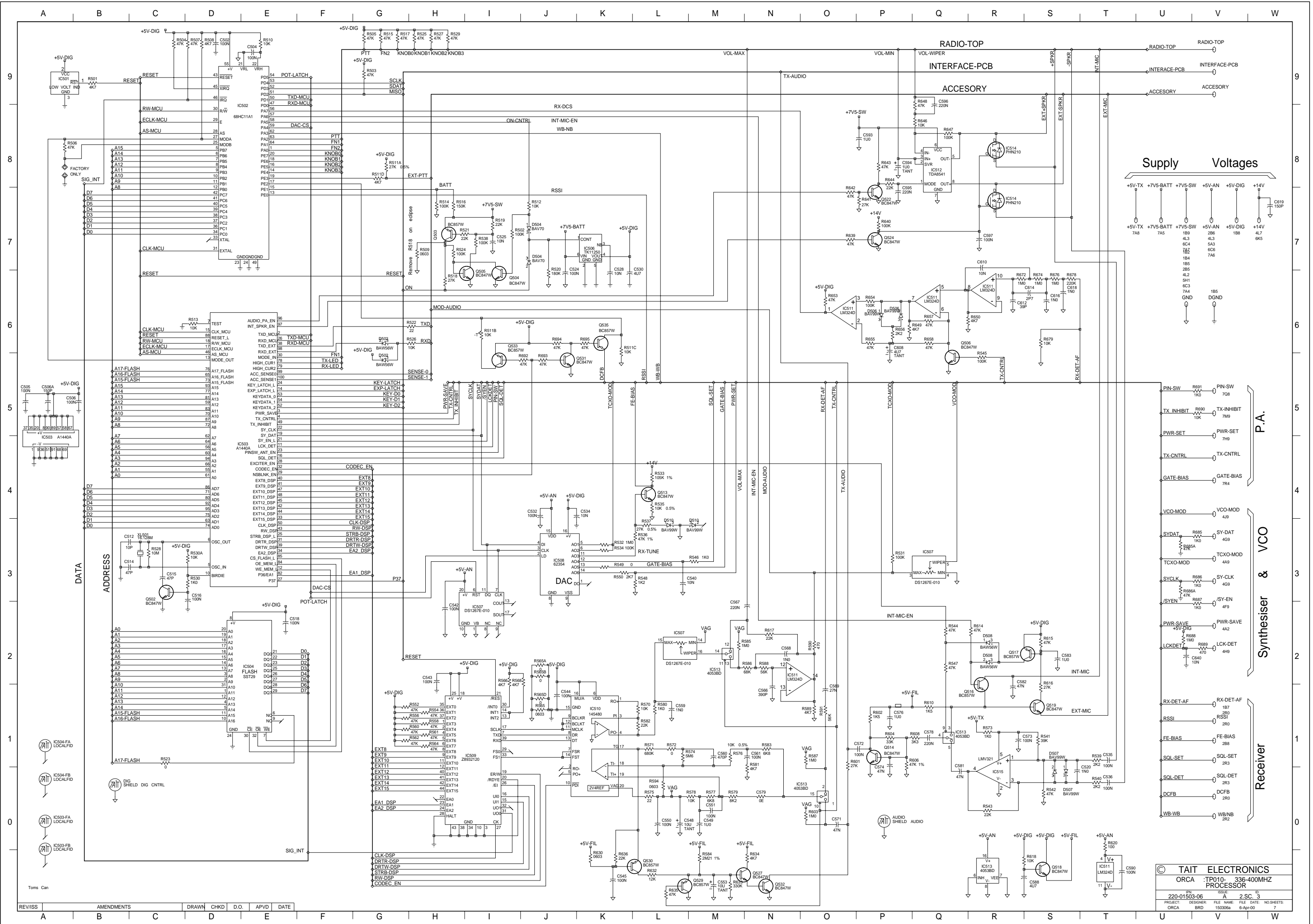


Variant Table

Part	NB	MB	WB
XF303	G		D
XF304	G		D
R349	-T	10k	NF
R350		15K	NF
C370		22P	22P
C369		470p	330P
R390		330k	68k
R355		47k	22k

© TAIT ELECTRONICS
 ORCA :TP010- 336-400MHZ RECEIVER
 IPN: 220-01503-06 ISSUE: A ID: 2.S.C. 2
 PROJECT: ORCA DESIGNER: BRD FILE NAME: 150306a FILE DATE: 6-Apr-00 NO.SHEETS: 7

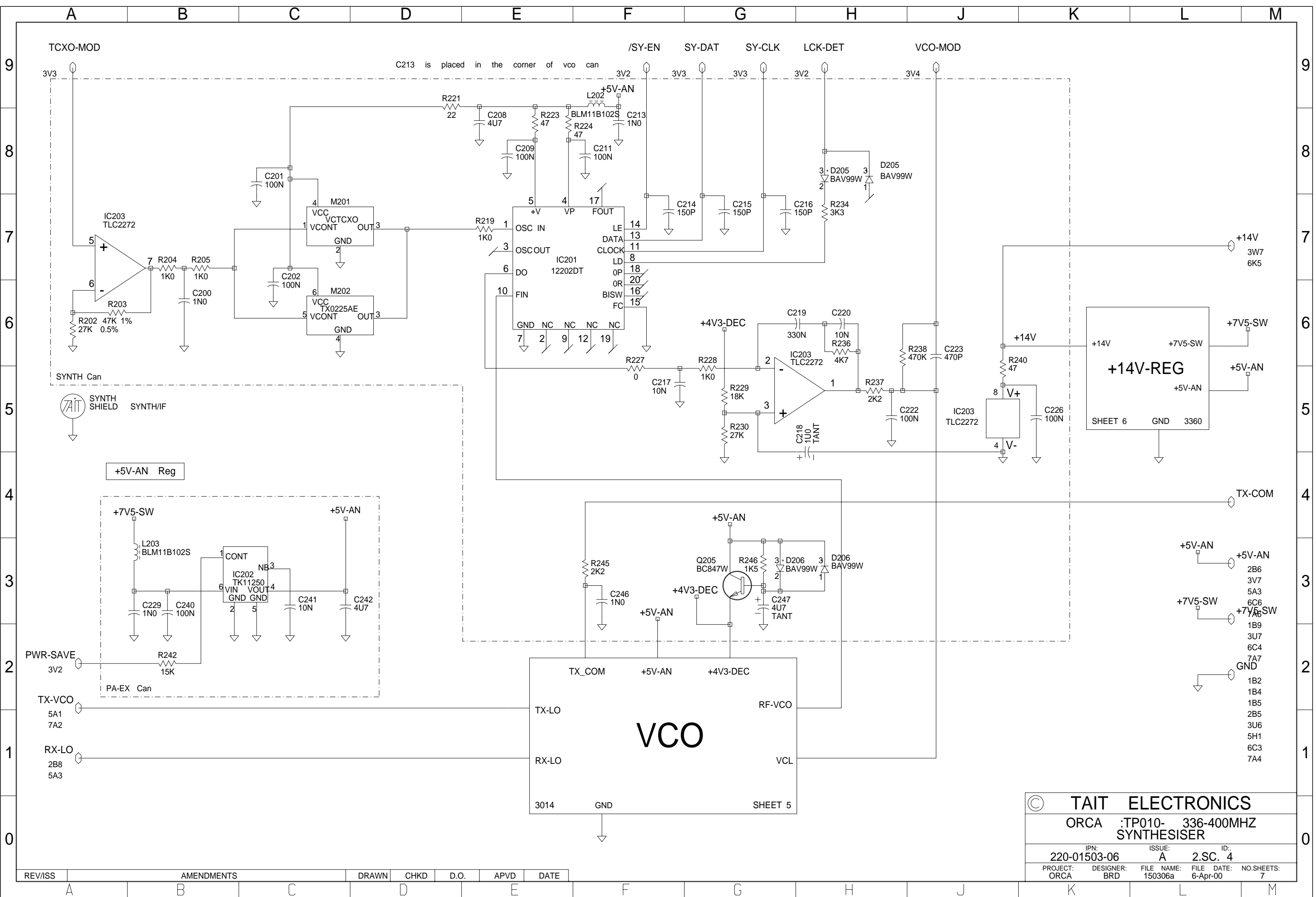
REV/ISS	AMENDMENTS	DRAWN	CHKD	D.O.	APVD	DATE
A						



© TAIT ELECTRONICS
 ORCA :TP010- 336-400MHZ
 PROCESSOR
 220-01503-06
 PRODUCT DESIGNER FILE NAME FILE DATE NO SHEETS
 ORCA BRD 150306a 6-Apr-00 7

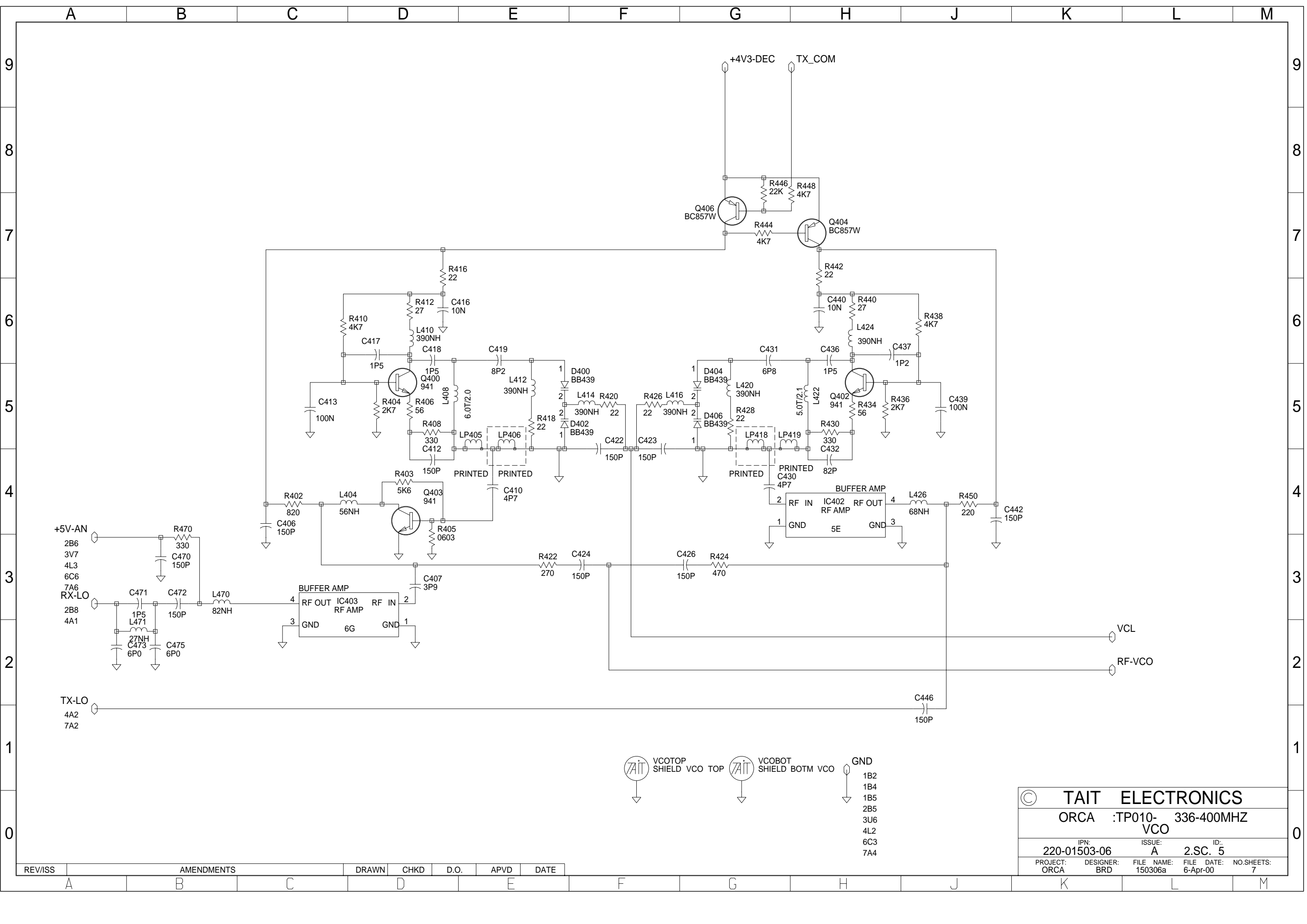
REV/ISS	AMENDMENTS	DRAWN	CHKD	D.O.	APVD	DATE
A						
B						
C						
D						
E						
F						
G						
H						
I						
J						
K						
L						
M						
N						
O						
P						
Q						
R						
S						
T						
U						
V						
W						

Toms Can



© TAIT ELECTRONICS				
ORCA :TP010- 336-400MHZ SYNTHESISER				
IPN:	ISSUE:	ID:		
220-01503-06	A	2.SC. 4		
PROJECT:	DESIGNER:	FILE NAME:	FILE DATE:	NO.SHEETS:
ORCA	BRD	150306a	6-Apr-00	7

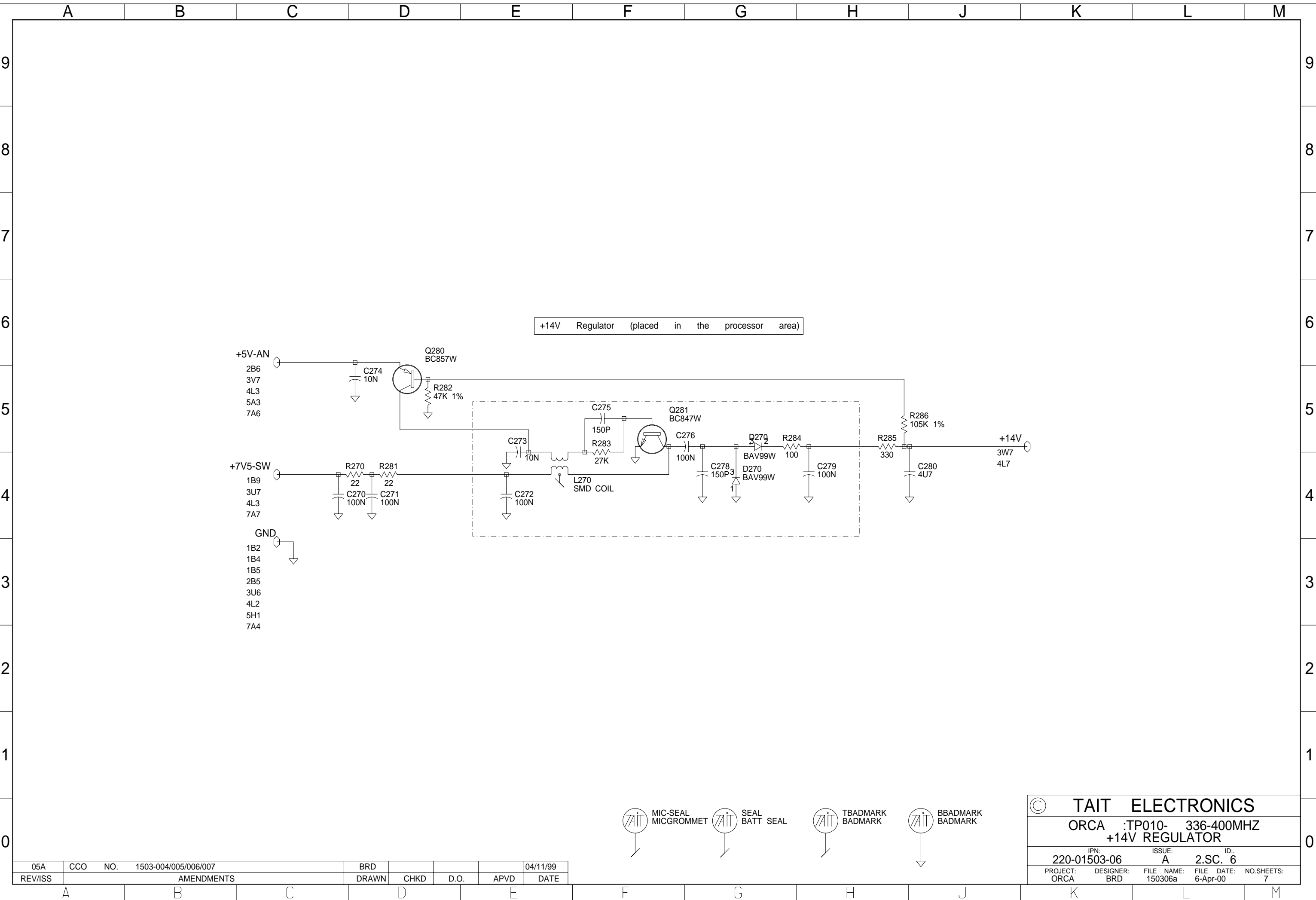
REV/ISS	AMENDMENTS	DRAWN	CHKD	D.O.	APVD	DATE



© TAIT ELECTRONICS
 ORCA :TP010- 336-400MHZ
 VCO
 IPN: 220-01503-06 ISSUE: A ID: 2.SC. 5
 PROJECT: ORCA DESIGNER: BRD FILE NAME: 150306a FILE DATE: 6-Apr-00 NO.SHEETS: 7

REV/ISS	AMENDMENTS	DRAWN	CHKD	D.O.	APVD	DATE

- VCOTOP SHIELD VCO TOP
- VCOBOT SHIELD BOTM VCO
- GND
- 1B2
- 1B4
- 1B5
- 2B5
- 3U6
- 4L2
- 6C3
- 7A4



+14V Regulator (placed in the processor area)

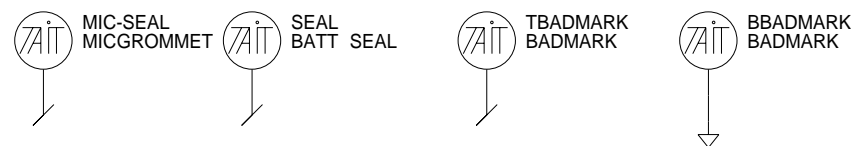
+5V-AN
2B6
3V7
4L3
5A3
7A6

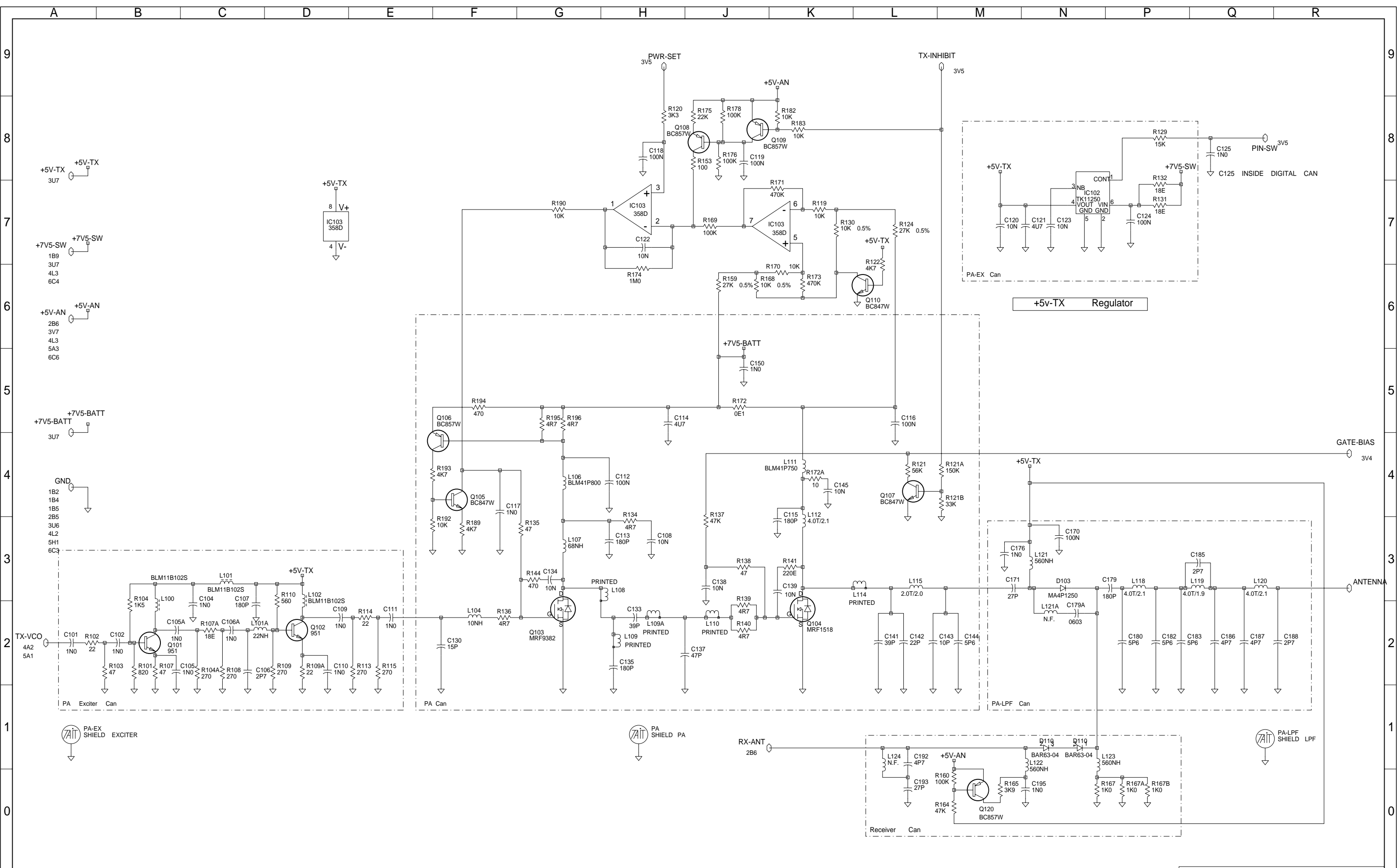
+7V5-SW
1B9
3U7
4L3
7A7

GND
1B2
1B4
1B5
2B5
3U6
4L2
5H1
7A4

© TAIT ELECTRONICS				
ORCA :TP010- 336-400MHZ +14V REGULATOR				
IPN: 220-01503-06		ISSUE: A		ID: 2.SC. 6
PROJECT: ORCA	DESIGNER: BRD	FILE NAME: 150306a	FILE DATE: 6-Apr-00	NO.SHEETS: 7

05A	CCO	NO. 1503-004/005/006/007	BRD				04/11/99
REV/ISS	AMENDMENTS		DRAWN	CHKD	D.O.	APVD	DATE





© TAIT ELECTRONICS
 ORCA :TP010- 336-400MHZ
 LOWCOST T3010

IPN: 220-01503-06	ISSUE: A	ID: 2.S.C. 7
PROJECT: ORCA	DESIGNER: BRD	FILE NAME: 150306a
FILE DATE: 6-Apr-00	NO.SHEETS: 7	

REV/ISS	AMENDMENTS	DRAWN	CHKD	D.O.	APVD	DATE
A						

